

CPRI

## TEST REPORT



**Central Power Research Institute**

(A Govt. of India Society)

P.B.No. 8066, Sadashivanagar Post Office,  
Sir C.V. Raman Road,  
Bangalore - 560 080 (INDIA)



CPRI

**ELECTRICAL APPLIANCES TECHNOLOGY DIVISION  
CENTRAL POWER RESEARCH INSTITUTE**

P.B.NO.8066, SADASHIVANAGAR P.O.  
SIR. C.V.RAMAN ROAD, BANGALORE - 560 080, INDIA.  
Telefax : + 91 - 080 - 23604572 Fax : +91 (0) 80 - 23601213



NABL Accredited  
Laboratory  
Certificate No. T-0010

Sheet 1 of 3

**TEST REPORT**

Test Report Number:229EATDIP09S0128

Dated: 29.06.2009

Name & Address of the Customer : M/s. KRISHNAA ENERGEY PVT. LTD.,  
DP-69, SIDCO Industrial Estate,  
Thirumuddivakkam, Chennai – 600 044

Name & Address of the Manufacturer : M/s. KRISHNAA ENERGEY PVT. LTD.,  
DP-69, SIDCO Industrial Estate,  
Thirumuddivakkam, Chennai – 600 044

**Particulars of sample tested**

Condition of the sample on Receipt : New  
Type : Indoor & Outdoor  
Designation : LT PDB Panel (415V AC/DC)  
Serial Number : -Nil-  
Number of samples tested : One only  
Date (s) of Test (s) : 25.06.2009 & 26.06.2009  
CPRI sample code no(s) : EATDIP09S0128

**Particulars of tests conducted**

Test in accordance with Standard / specification : IP 55 Tests as per IS 12063:1987 (Reaffirmed 2004)  
Sampling Plan : Not applicable  
Customer's requirement : 1. IP 55 Tests as per IS 12063:1987 (Reaffirmed 2004)  
2. Insulation Resistance test at 500 V DC and  
3. Power Frequency High Voltage test at 2.5 kV AC-to be applied for one minute between all fuse terminals shorted together and body; to be conducted before and after IP test.

Deviations if any : -Nil-

**Name of the witnessing persons**

Customer's representative : Mr. Murthy Pillai  
Other than customer's representatives : -Nil-  
Test subcontracted with address of the laboratory : None

**Documents constituting this report (In words)**

Number of sheets : Three Only  
Number of oscillograms : -Nil-  
Number of graphs : -Nil-  
Number of photos : -Nil-  
Number of test circuit diagrams : -Nil-  
Number of drawings : One only. Drg. No. KEPL-09-01, Rev.0, Sheet No. 1 of 1.

*V N Nagaraj*  
(NAGARAJA RAO V. N.)  
TEST ENGINEER



AUTHORISED SIGNATORIES

*K. Manohara*  
(K. MANOHARA)  
ADDITIONAL DIRECTOR



CPRI

**ELECTRICAL APPLIANCES TECHNOLOGY DIVISION  
CENTRAL POWER RESEARCH INSTITUTE**

P. B.NO.8066, SADASHIVANAGAR P.O.  
SIR. C.V.RAMAN ROAD, BANGALORE - 560 080, INDIA.  
Telefax : + 91 - 080 - 23604572 Fax : +91 (0) 80 - 23601213



NABL Accredited  
Laboratory  
Certificate No. T-0010

Sheet 2 of 3

Test Report Number: 229EATDIP09S0128

Dated:29.06.2009

**TEST RESULTS:**

SL. NO.	PARTICULARS		OBSERVATIONS		
	TESTS CONDUCTED	REFERENCE CLAUSE			
1.0	IP 5X Category 2 test as per IS 12063:1987 (Reaffirmed 2004)	Protection against ingress of solid foreign objects - Dust Test - Clause 7.5.	Very fine layer of dust found on the bottom plate inside the LT PDB Panel.		
2.0	IP X5 test as per IS 12063:1987 (Reaffirmed 2004)	Protection against ingress of water - Clause 8.5.	No water found entered inside the LT PDB Panel.		
3.0	<b>Electrical Tests Conducted</b>		<b>Before IP 5X test</b>	<b>After IP 5X test / Before IP X5 test</b>	<b>After IP X5 test</b>
3.1	Insulation Resistance Test at 500V DC applied for one minute between all fuse terminals shorted together and body.		308 MΩ	272 MΩ	189 MΩ
3.2	Power Frequency High Voltage Test at 2.5 kV AC applied for one minute between all fuse terminals shorted together and body.		Withstood	Withstood	Withstood

**Compliance Note:** The "LT PDB Panel" sample submitted for IP 55 Tests complies with the requirement of the tests as per IS 12063:1987 (Reaffirmed 2004) standard.

Test Engineer



**CPRI**

**ELECTRICAL APPLIANCES TECHNOLOGY DIVISION  
CENTRAL POWER RESEARCH INSTITUTE**

P.B.NO.8066, SADASHIVANAGAR P.O.  
SIR. C.V.RAMAN ROAD, BANGALORE - 560 080, INDIA.  
Telefax : + 91 - 080 - 23604572 Fax : +91 (0) 80 - 23601213



NABL Accredited  
Laboratory  
Certificate No. T-0010

**Sheet 3 of 3**

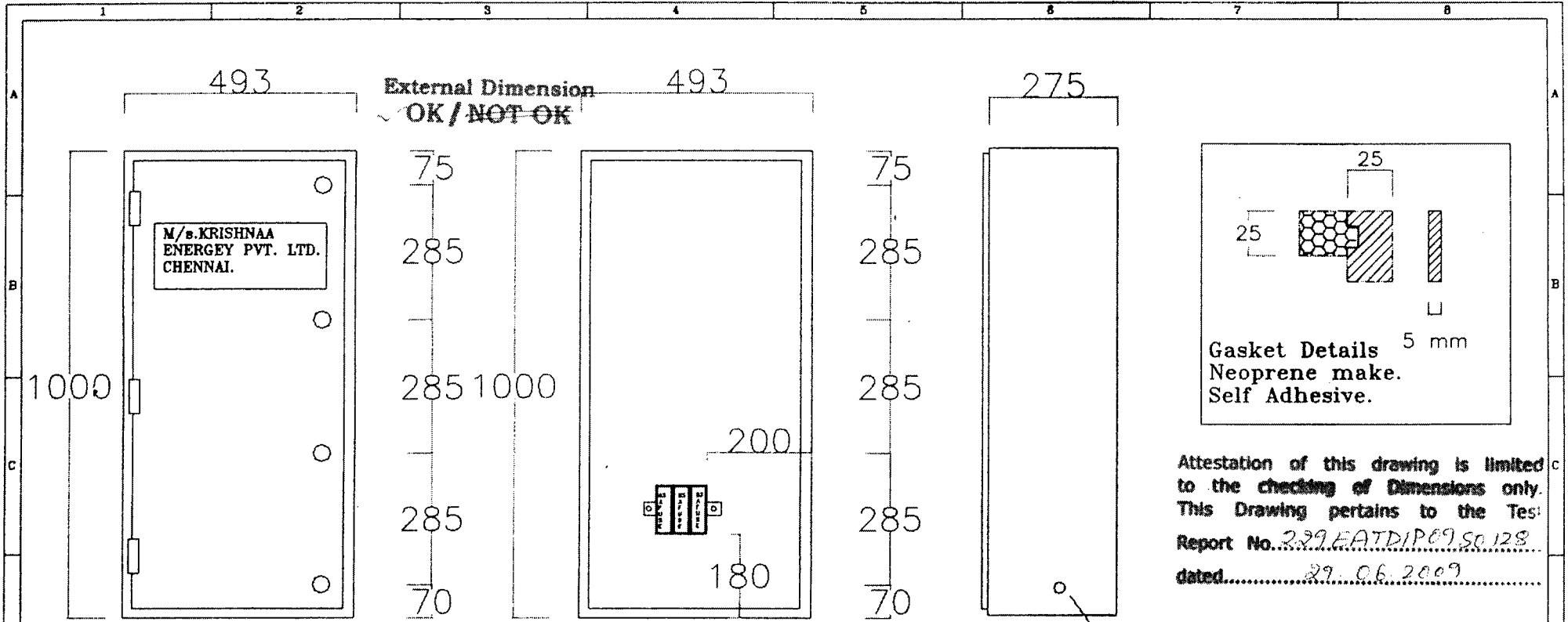
**Test Report Number: 229EATDIP09S0128**

**Dated: 29.06.2009**

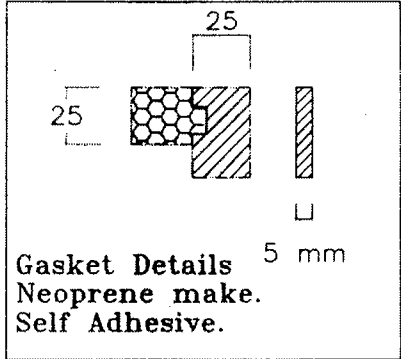
**NOTE**

- a) The test results relate only to the item(s) tested.
- b) Publication or reproduction of this report in any form other than by complete set of the whole report and in the language written is not permitted without the written consent of CPRI.
- c) Any correction / erasure invalidate this test report / certificate.
- d) Any anomaly / discrepancy in the test report / certificate should be brought to our notice within 45 days from the date of issue.
- e) The verification of the sample drawings by CPRI is limited to dimensional checks only wherever possible.

  
**Test Engineer**



M/s. KRISHNAA  
ENERGEY PVT. LTD.  
CHENNAI.



Attestation of this drawing is limited to the checking of Dimensions only. This Drawing pertains to the Test Report No. 229 EATD/PC9/SC/128 dated 29.06.2009

EARTHING

FRONT VIEW

DOOR OPEN VIEW

SIDE VIEW

All Dimension are in mm.  
Body Enclosure Made of 14 Swg  
(2mm) CRCA sheet

V N Nagaraj  
Engineering Officer  
CRTL/CPRI  
Bangalore

TYPE: INDOOR AND OUTDOOR		QTY: 1 NO	ALL DIMENSION ARE IN mm		TITLE: LT PDB PANEL (415V AC/DC)			SCALE : NTS	
0		DRAWN	P Roy		MFG BY: KRISHNAA ENERGY PRIVATE LIMITED				
REV. DATE	DESCRIPTION	P.MURTHY	P.RAMCHANDRAN	19/06	DP 69, SIDCO Industrial Estate, Thirumudivakkam, Chennai-44			SHT.No.	DRAWING No.
CUSTOMER :				PROJECT : IP55 (CAT-2) TEST AT CPRI			JOB REF:	1 OF 1	KEPL-09-01