

CPRI

TEST REPORT



Central Power Research Institute

**(A Govt. of India Society,
P.B. No. 8066, Sadashivanagar, S.P.O.
Prof. Sir. C.V. Raman Road,
Bangalore - 560 080**



CPRI

**HIGH VOLTAGE DIVISION
CENTRAL POWER RESEARCH INSTITUTE**

P.B. NO. 8066, SADHASHIVNAGAR SUB P.O.
Prof. SIR. C.V. RAMAN ROAD, BANGALORE - 560 080, INDIA.
Phone : +91 (0)80-23601917 Fax : +91 (0)80-23601917

MEMBER STL



**NABL Accredited
Laboratory**
Certificate No. T-0010

Sheet 1 of 3

TEST REPORT

Test Report Number : No.43/1/2010-HV/7677/KEPL **Dated:** 25-02-2010

Name & Address of the Customer : M/s. Krishna Energy Private Limited,
DP 69, Sidco Industrial Estate,
Thirumudivakkam, Chennai - 44.
Ref: Nil. **Dated :** 11-02-2010

Name & Address of the Manufacturer : M/s. Krishna Energy Private Limited,
DP 69, Sidco Industrial Estate,
Thirumudivakkam, Chennai - 44.

Particulars of sample tested
Condition of the sample on Receipt : New.
Type : Indoor, Resin Cast.
Designation : 11kV, 3Φ Resin Cast Voltage Transformer.
Serial Number : 313/10.
Number of samples tested : One.
Date (s) of Test (s) : 11-02-2010.
CPRI sample code number : HVML 2010 S0114.


Particulars of tests conducted : 1.Lightning Impulse Voltage Withstand Test.
2.Power Frequency Voltage Withstand Test (Dry).
Test in accordance with Standard / specification : IS 3156/92(Part-I) RA 2002.
Sampling plan : Nil.
Customer's requirement : Test on Single Phase Only (B Phase).
Deviations if any : Test on Single Phase Only (B Phase).

Name of the witnessing persons
Customer's representative : Shri. K.S.Suresh Kumar & Shri P.Ramachandran.
Other than customer's representatives : None.
Test subcontracted with address of the laboratory : None.

Documents constituting this report (In words)
Number of sheets : Three.
Number of oscillogram/s : Six.
Number of graphs : Nil.
Number of photos : Nil.
Number of test circuit diagrams : Nil.
Number of drawings : One. (Drawing No.1) KE-11RVT-001.


(K.R.DASHARATHI)
Test Engineer




(P.V. VASUDEVAN NAMBU DIRI)
Additional Director

AUTHORISED SIGNATORIES



CPRI

HIGH VOLTAGE DIVISION
CENTRAL POWER RESEARCH INSTITUTE
P.B. NO. 8066, SADHASHIVNAGAR SUB P.O.
Prof. SIR. C.V. RAMAN ROAD, BANGALORE - 560 080, INDIA.
Phone : +91 (0)80-23601917 Fax : +91 (0)80-23601917

MEMBER STL



NABL Accredited
Laboratory
Certificate No. T-0010
Sheet 2 of 3

Report No.43/1/2010-HV/7677/KEPL

Dated: 25-02-2010

1. Lightning Impulse Voltage Withstand Test.

Connection: Impulse to phase B. Phase A & C shorted & earthed. All secondary Windings shorted & earthed along with the frame.

Table with 7 columns: Wave Type, Shot No., Positive Polarity (Test Voltage KV (Peak) *, Osc. No.), Negative Polarity (Test Voltage KV (Peak) *, Osc. No.), Remark. Rows include RFW, FW (1st), and FW (5th).

Note: FW - Full Wave, RFW- Reduced Full Wave

2. Power Frequency Voltage Withstand Test (Dry).

Connection: Source to Phase ABC (shorted). All secondary Windings shorted & earthed along with the frame.

Table with 3 columns: Sample No., Test Voltage kV(rms) *, Remarks. Row 1: 1., 28, Withstood for one minute.

* These are applied voltages under ambient conditions, which are given below:

Table with 4 columns: Temperature in Degree Celsius (Dry Bulb, Wet Bulb), Atmospheric Pressure in mm of Hg. Row 1: *, 25, 20, 683.

(K.R.DASHARATHI)
Test Engineer



CPRI

**HIGH VOLTAGE DIVISION
CENTRAL POWER RESEARCH INSTITUTE**

P.B. NO. 8066, SADHASHIVNAGAR SUB P.O.
Prof. SIR. C.V. RAMAN ROAD, BANGALORE - 560 080, INDIA.
Phone : +91 (0)80-23601917 Fax : +91 (0)80-23601917

MEMBER STL



**NABL Accredited
Laboratory**
Certificate No. T-0010

Sheet 3 of 3

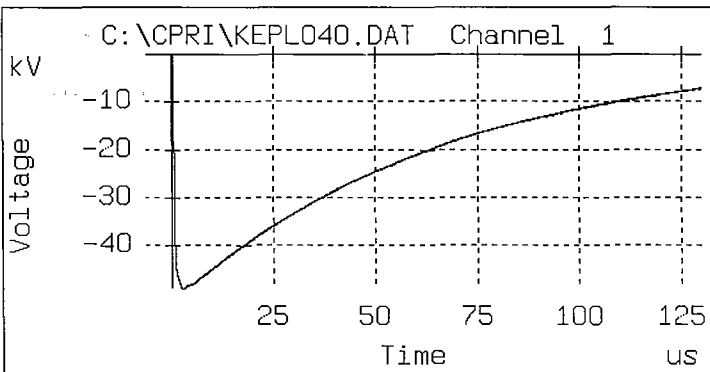
Report No.43/1/2010-HV/7677/KEPL

Dated: 25-02-2010

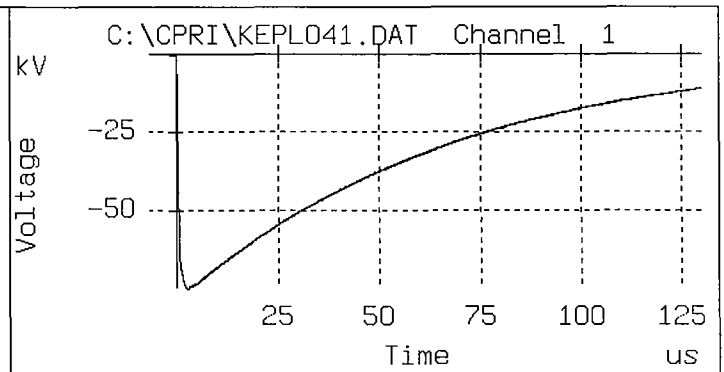
NOTE:

- a) The test results relate only to the items tested.
- b) Publication or reproduction of this report in any form other than by complete set of the whole report and in the language written is not permitted without the written consent of CPRI.
- c) Any Corrections/erasures invalidate this test report/certificate.
- d) Any anomaly/discrepancy in this test report/certificate should be brought to our notice within 45 days from the date of issue.
- e) The verification of the sample drawings by CPRI is limited to dimensional checks only wherever possible.

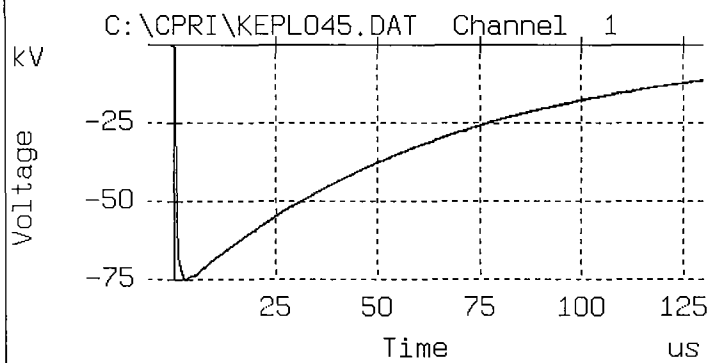

(K.R.DASHARATHI)
Test Engineer



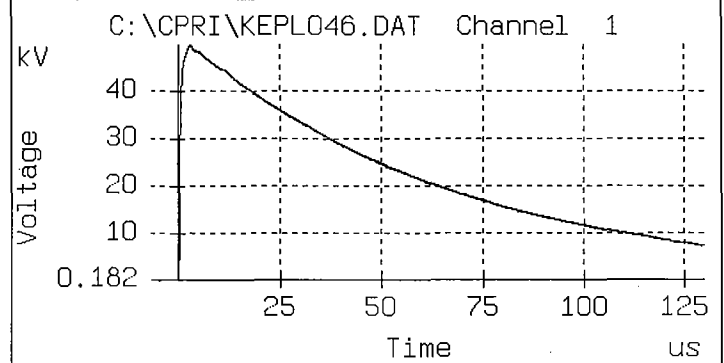
75% LI full
-49.12kV T1=916ns T2=49.9us



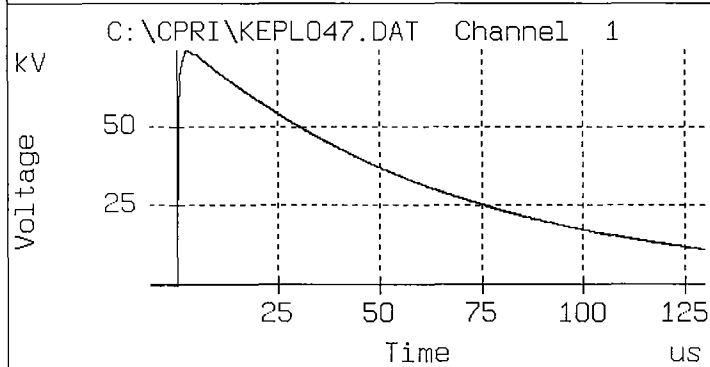
100% LI full
-74.42kV T1=998ns T2=49.8us



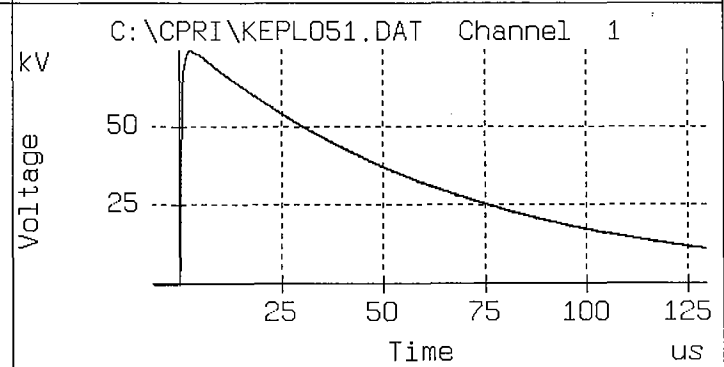
100% LI full
-75.03kV T1=969ns T2=49.6us



75% LI full
49.39kV T1=1.32us T2=49.8us



100% LI full
75kV T1=1.07us T2=49.8us



100% LI full
74.99kV T1=1.07us T2=49.8us

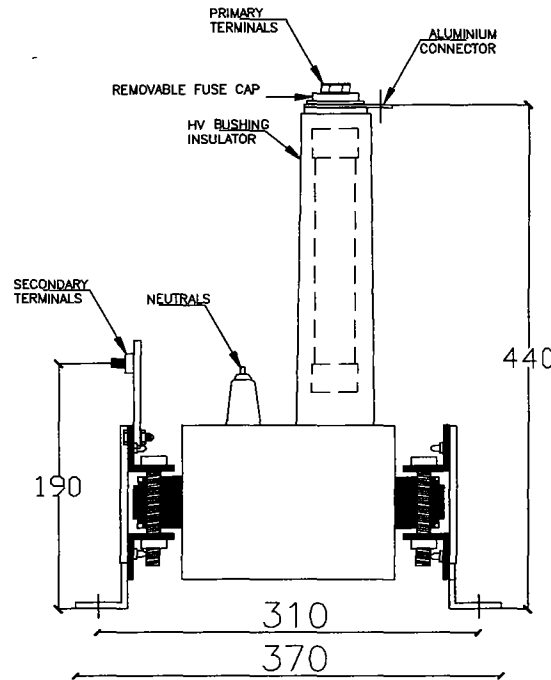
THIS DRAWING IS THE PROPERTY OF KRISHNAA ENERGY PRIVATE LIMITED AND MUST NOT BE COPIED OR REPRODUCED WITHOUT THEIR CONSENT.

THE POLICY OF KRISHNAA ENERGY IS CONTINUAL IMPROVEMENT & DEVELOPMENT.

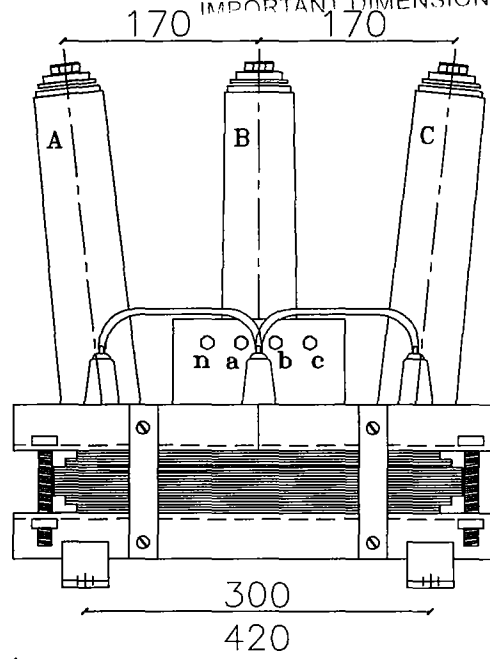
“इस चित्र का साक्ष्यांकन महत्वपूर्ण
आमरणों की जाँच तक ही सीमित है।”
“ATTESTATION OF THIS DRAWING IS
LIMITED TO THE CHECKING OF
IMPORTANT DIMENSIONS ONLY”

TECHNICAL DETAILS

Epoxy Resin Cast, Fixed Type Indoor
VOLTAGE TRANSFORMER
Panel Mounting, Class B
Ratio : 11 KV / 110 V
Burden : 100 VA / CL : 0.5
Insulation level : 12/28/75 KVp
Frequency : 50 Hz
OVF : 1.2 cont. & 1.5
for 30 secs.

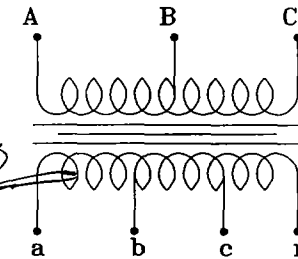


SIDE VIEW



FRONT VIEW

CONNECTION DIAGRAM



यह चित्र परीक्षण दस्तावेज सं. 43/1/.....
एचवी ना..... से संबंधित है।
THIS DRAWING PERTAINS TO TEST REPORT
43/1/2010-HV/7677/KEPL
Dated..... 25/02/2010.....

(Signature)
इंजीनियरी अधिकारी
ENGINEERING OFFICER
सी पी आर आई/CPRI
बैंगलूर/BANGALORE-560 080

TYPE: INDOOR FIXED BVT		QTY:	ALL DIMENSION ARE IN mm				TITLE: 11 KV INDOOR RESIN CAST BUSHING VOLTAGE TRANSFORMER		SCALE : NTS		
0			BJM	K.S.S.K	K.S.S.K		18/11/09	MFG BY: KRISHNAA ENERGY PVT LTD., DP-60, SIDCO Industrial Estate, Thirumudivakkam, Chennai-44			
REV.	DATE	DESCRIPTION		DRAWN	CHD.	APPD.	SIGN	DATE.	SHT.No.	DRAWING No.	
CUSTOMER :				PROJECT :				JOB REF: KEHT-CHANDRA		1 OF 1	KE-11RVT-001
P.O.REF :											