

CPRI

TEST REPORT



Central Power Research Institute

(A Govt. of India Society,
P.B. No. 8066, Sadashivanagar, S.P.O.
Prof. Sir. C.V. Raman Road,
Bangalore - 560 080



CPRI

HIGH VOLTAGE DIVISION
CENTRAL POWER RESEARCH INSTITUTE

P.B. NO. 8066, SADHASHIVNAGAR SUB P.O.
Prof. SIR. C.V. RAMAN ROAD, BANGALORE - 560 080, INDIA.
Phone : +91 (0)80-23601917 Fax : +91 (0)80-23601917



NABL Accredited
Laboratory
Certificate No. T-0010

Sheet 1 of 3

ADDITIONAL TEST REPORT

Test Report Number : No.43/1/2010-HV/7929/KEPL
Name & Address of the Customer : M/s. Krishnaa Energy Private Limited,
DP.69, Sidco Industrial Estate,
Thirumudivakkam, Chennai- 600 044.
Ref: Nil.
Dated: 29-04-2010.
Name & Address of the Manufacturer : M/s. Krishnaa Energy Private Limited,
DP.69, Sidco Industrial Estate,
Thirumudivakkam, Chennai- 600 044.
Dated: 27-04-2010
Particulars of Sample tested.
Condition of sample on Receipt : New.
Type : Indoor.
Designation : 11kV, 630A, VCB panel with withdraw able VCB and earthed
Metallic Shutter and LBS.
Serial Number : Nil.
Number of samples tested : One.
Date(s) of Test(s) : 28-04-2010.
CPRI Sample Code Number : SC10S0816.
Particulars of tests conducted : 1) Lightning Impulse Voltage Withstand Test.
Test in accordance with standard/Specification : IEC 62271-200/2003.
Sampling plan : Not Applicable.
Customer's requirement : Nil.
Deviations if any : Nil.
Name of the witnessing persons
Customer's representatives : Mr. P.Ramachandran (Manager R & D)
Other than Customer's representatives : Mr. Bhanu Srilla, Project Manager, Enercon Engineering,
Mr. Rohini G, Staff Engineer, GETS.
Test/subcontracted with : None.
Address of the laboratory.
Documents constituting this report (In words).
Number of Sheets : Three.
Number of oscillogram/s : Twenty Eight.
Number of graphs : Nil.
Number of photo/s : Nil.
Number of Test Circuit Diagrams : Nil.
Number of Drawings : Two. {Drawing Nos. 1) KEVCB-11-201
2) KEVCB-11-202
3) KEVCB-11-205}

(K.R.DASHARATHI)
Test Engineer



(P. V. VASUDEVAN NAMBUDEIRI)
Additional Director

AUTHORISED SIGNATORIES



CPRI

HIGH VOLTAGE DIVISION
CENTRAL POWER RESEARCH INSTITUTE
P.B. NO. 8066, SADHASHIVNAGAR SUB P.O.
Prof. SIR. C.V. RAMAN ROAD, BANGALORE - 560 080, INDIA.
Phone : +91 (0)80-23601917 Fax : +91 (0)80-23601917

MEMBER STL



NABL Accredited
Laboratory
Certificate No. T-0010
Sheet 2 of 3

Test Report No.43/1/2010-HV/7929/KEPL

Dated: 29-04-2010.

Test Arrangement for the Tests:

Table with 5 columns: Test Arrangement, Breaker Position, LBS Position, H.V. connected to, Earth connected to. Contains 7 rows of test configurations.

1. Lightning Impulse Voltage Withstand Test.

Table with 6 columns: Test Arrangement, Shot No., Positive Polarity (Test Voltage, Osc. No.), Negative Polarity (Test Voltage, Osc. No.), Remarks. Contains 14 rows of test results.

Result: The VCB Panel has withstood the Lightning Impulse test.

** These voltages are applied under ambient conditions which are given below:

* These voltages are final values after applying corrections for ambient conditions which are given below

Table with 3 columns: Temperature in Degree Celsius (Dry Bulb, Wet Bulb), Atmospheric Pressure in mm of Hg. Values: 28, 22, 684.

(K.R.DASHARATHI)
Test Engineer



CPRI

HIGH VOLTAGE DIVISION
CENTRAL POWER RESEARCH INSTITUTE
P.B. NO. 8066, SADHASHIVNAGAR SUB P.O.
Prof. SIR. C.V. RAMAN ROAD, BANGALORE - 560 080, INDIA.
Phone : +91 (0)80-23601917 Fax : +91 (0)80-23601917

MEMBER STL



NABL Accredited
Laboratory
Certificate No. T-0010
Sheet 3 of 3

Test Report No.43/1/2010-HV/7929/KEPL

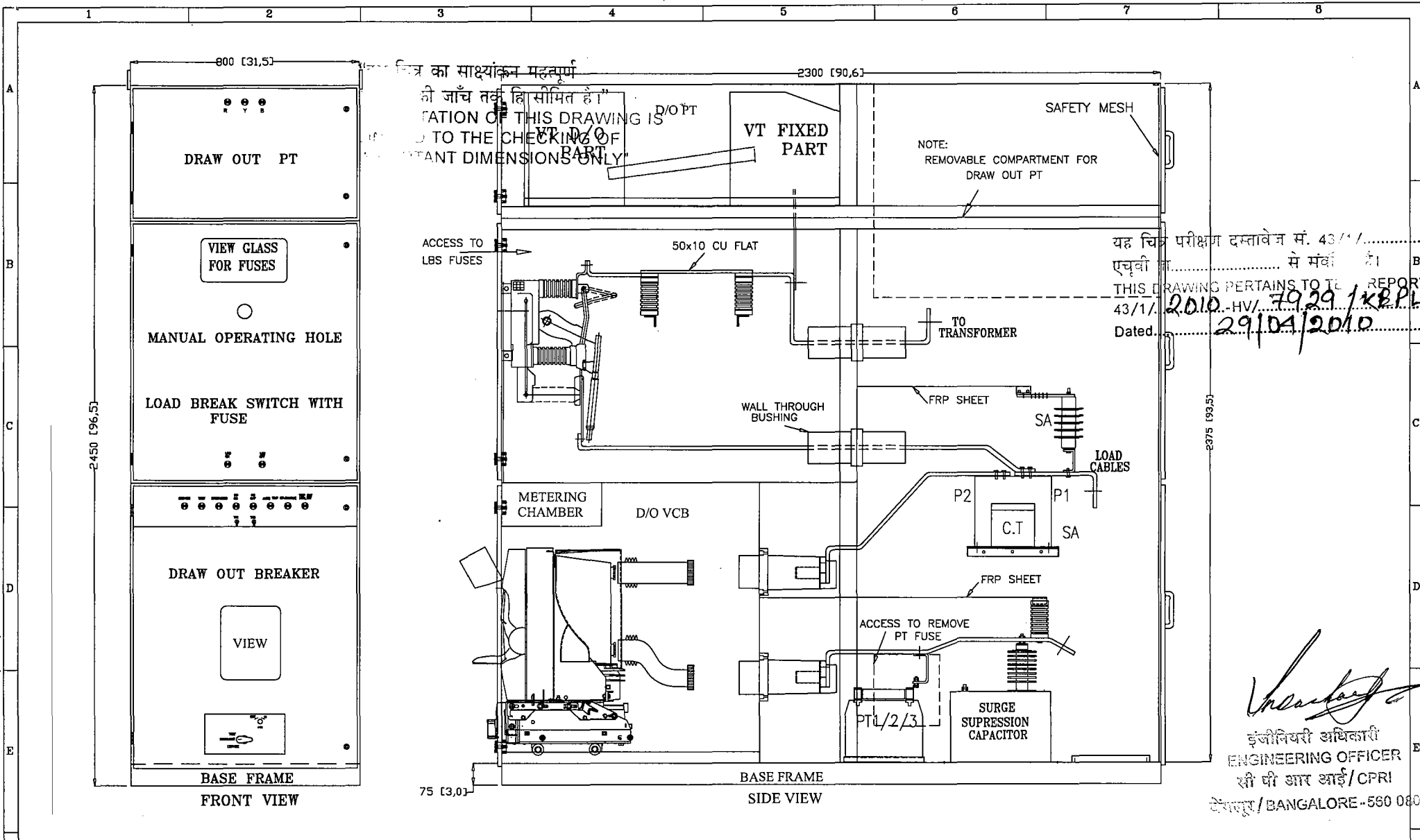
Dated: 29-04-2010.

NOTE:

- a) The test results relate only to the items tested.
- b) Publication or reproduction of this report in any form other than by complete set of the whole report and in the language written is not permitted without the written consent of CPRI.
- c) Any Corrections/erasures invalidate this test report/certificate.
- d) Any anomaly/discrepancy in this test report/certificate should be brought to our notice within 45 days from the date of issue.
- e) The verification of the sample drawings by CPRI is limited to dimensional checks only wherever possible.


(K.R.DASHARATHI)
Test Engineer

THIS DRAWING IS THE PROPERTY OF MARUTHI ENERGY (INDIA) PVT LTD., AND MUST NOT BE COPIED OR REPRODUCED WITHOUT THEIR CONSENT.



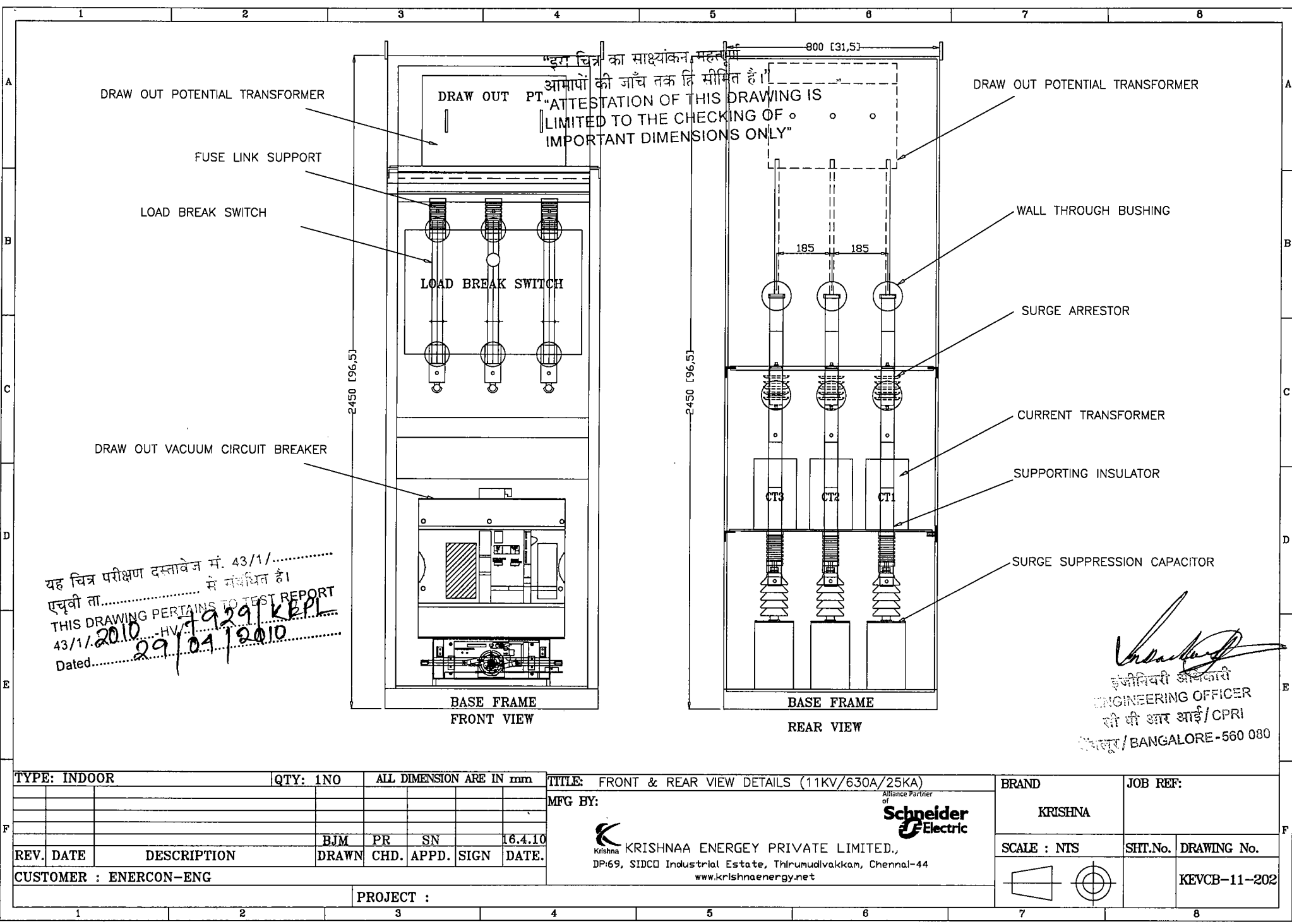
चित्र का साक्षात्कृत महत्वपूर्ण
की जाँच तर्क ही सीमित है।
THIS DRAWING IS
TO THE CHECKING OF
IMPORTANT DIMENSIONS ONLY

यह चित्र परीक्षण दस्तावेज सं. 43/1/.....
एचवी से संबंधित है।
THIS DRAWING PERTAINS TO TEST REPORT
43/1/.....-HV/.....7929/KBPL
Dated: 29/04/2010

TYPE: INDOOR		QTY: 1NO		ALL DIMENSION ARE IN mm		TITLE: GA FOR INDOOR METALCLAD SWITCHGEAR PANEL(11KV/630A/25KA)		BRAND		JOB REF:	
						MFG BY:		KRISHNA			
								SCALE : NIS		SHT.No.	
REV. DATE		DESCRIPTION		DRAWN		DATE.				DRAWING No.	
CUSTOMER : ENERCON-ENG				BJM PR SN		16.4.10					
				CHD. APPD. SIGN		DATE.				KEVCB-11-201	
		PROJECT :									

THE POLICY OF MARUTHI ENERGY IS CONTINUAL IMPROVEMENT & DEVELOPMENT.

THIS DRAWING IS THE PROPERTY OF MARUTHI ENERGY (INDIA) PVT LTD., AND MUST NOT BE COPIED OR REPRODUCED WITHOUT THEIR CONSENT.



यह चित्र परीक्षण दस्तावेज मं. 43/1/.....
 एचवी ता..... से संबंधित है।
 THIS DRAWING PERTAINS TO TEST REPORT
 43/1/2010 - HV/1929/KEPL
 Dated..... 29/04/2010

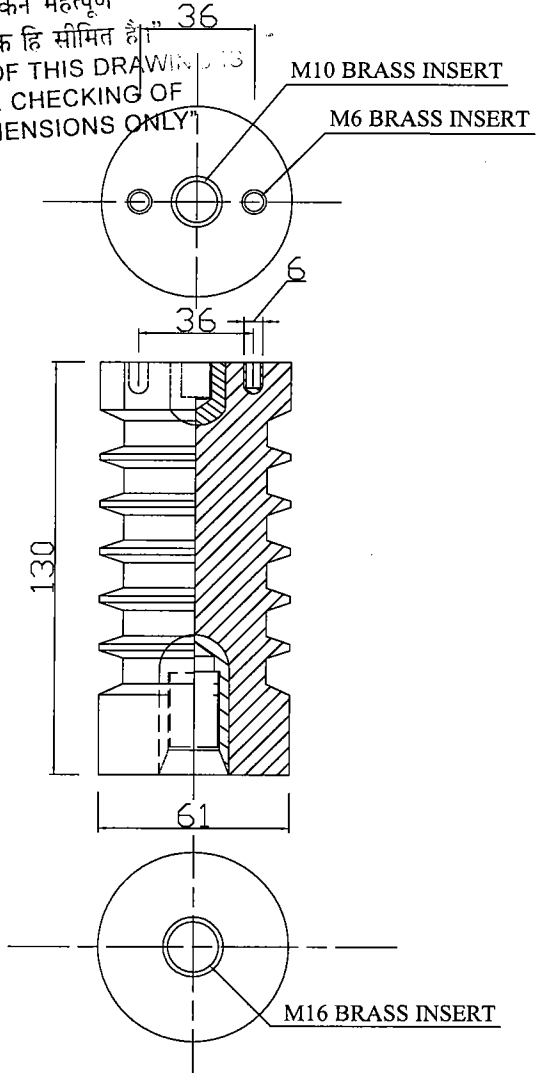
[Signature]
 इंजीनियरी अधिकारी
 ENGINEERING OFFICER
 सी पी एन आई/CPRI
 बंगलूर/BANGALORE-560 080

TYPE: INDOOR		QTY: 1NO		ALL DIMENSION ARE IN mm		TITLE: FRONT & REAR VIEW DETAILS (11KV/630A/25KA)		BRAND		JOB REF:	
						MFG BY:		KRISHNA			
								SCALE : NTS		SHT.No.	
REV. DATE		DESCRIPTION		DRAWN CHD. APPD. SIGN		DATE.				DRAWING No.	
CUSTOMER : ENERCON-ENG										KEVCB-11-202	
		PROJECT :									

KRISHNA ENERGY PRIVATE LIMITED.,
 DP:69, SIDCO Industrial Estate, Thirumudivakkam, Chennai-44
 www.krishnaenergy.net

THE POLICY OF MARUTHI ENERGY IS CONTINUAL IMPROVEMENT & DEVELOPMENT.


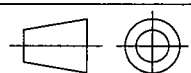
“इस चित्र का साक्षात्कृत महत्वपूर्ण
आमंत्रण के बिना ही सीमित है।”
“ATTENTION OF THIS DRAWING IS
LIMITED TO THE CHECKING OF
IMPORTANT DIMENSIONS ONLY”



यह चित्र परीक्षण सं. 43/1/.....
एचवी ता..... में संवधित है।
THIS DRAWING IS TO TEST REPORT
43/1/..2010 7929/KEPL
Dated..... 29/04/2010

(Signature)
इंजीनियरी अधिकारी
ENGINEERING OFFICER
सी पी आर आई/CPRI
बैंगलूर/ BANGALORE-560 080

GENERAL TOLERANCE: ±2mm

MATL: EPOXY RESIN		QTY: 1NO		ALL DIMENSION ARE IN mm				TITLE: 11 KV EPOXY INSULATOR		BRAND		JOB REF:			
								MFG BY:		KRISHNA					
								 Alliance Partner of Schneider Electric		SCALE : NIS		SHT.No.		DRAWING No.	
REV. DATE		DESCRIPTION		DRAWN		CHD. APPD. SIGN		KRISHNA ENERGY PRIVATE LIMITED, DP:69, SIDCO Industrial Estate, Thirumudivakkam, Chennai-44 www.krishnaenergy.net						KEVCB-11-205	
CUSTOMER : ENERCON-ENG				PROJECT :											

THIS DRAWING IS THE PROPERTY OF MARUTHI ENERGY (INDIA) PVT LTD., AND MUST NOT BE COPIED OR REPRODUCED WITHOUT THEIR CONSENT.

THE POLICY OF MARUTHI ENERGY IS CONTINUAL IMPROVEMENT & DEVELOPMENT.