

CPRI

11KV
ISOLATORS

TEST REPORT



Central Power Research Institute

(A Govt. of India Society,
P.B. No. 8066, Sadashivanagar, S.P.O.
Prof. Sir. C.V. Raman Road,
Bangalore - 560 080



CPRI

HIGH VOLTAGE DIVISION
CENTRAL POWER RESEARCH INSTITUTE
P.B. NO. 8066, SADHASHIVNAGAR SUB P.O.
Prof. SIR. C.V. RAMAN ROAD, BANGALORE - 560 080, INDIA.
Phone : +91 (0)80-23601917 Fax : +91 (0)80-23601917

MEMBER STL



NABL Accredited
Laboratory
Certificate No. T-0010
Sheet 1 of 3

TEST REPORT

Test Report Number : No.43/1/2010-HV/7916/KEPL
Name & Address of the Customer : M/s. Krishna Energy Pvt Ltd.,
DP:69, Sidco Industrial Estate,
Thirumudivakkam, Chennai-600 044.
Ref No.: Nil
Dated: 26-04-2010.
Dated: 19-04-2010.

Name & Address of the Manufacturer : M/s. Krishna Energy Pvt Ltd.,
DP:69, Sidco Industrial Estate,
Thirumudivakkam, Chennai-600 044.

Particulars of Sample tested.
Condition of sample on Receipt. : New.
Type : Outdoor.
Designation : 11kV, 1250A, 3Φ Double Break Isolator.
Serial No. : Nil.
Number of samples tested : One Set.
Date(s) of Test(s) : 22-04-2010 & 23-04-2010.
CPRI Sample Code No. : SC 10 S0791.

Particulars of tests conducted : 1. Lightning Impulse Voltage Withstand Test.
2. Power Frequency Voltage Withstand Test (Dry).
3. Power Frequency Voltage Withstand Test (Wet).

Test in accordance with standard/Specification. : IS 9921((part II)/1982,(part-IV)/1985) Both RA 2007

Sampling plan : Not Applicable.
Customer's requirement : Power Frequency Voltage Withstand test using single source only.

Deviations if any : Nil.

Name of the witnessing persons
Customer's representatives : Mr. D.Ramachandran (R.D.Manager).
Other than Customer's representatives : None.

Test/subcontracted with Address of the laboratory. : None.

Documents constituting this report (In words).

Number of Sheets : Three.
Number of oscillogram/s : Nil.
Number of graphs : Nil.
Number of photo/s : Nil.
Number of Test Circuit Diagrams : Nil.
Number of Drawings : Two. {Drawing No. 1) KEISO-11-001
2) KEISO-11-002}.

(Handwritten signature of K.R. Dasharathi)

(K.R.DASHARATHI)
Test Engineer



(Handwritten signature of P.V. Vasudevan Nambudiri)

(P. V. VASUDEVAN NAMBU DIRI)
Additional Director

AUTHORISED SIGNATORIES



CPRI

HIGH VOLTAGE DIVISION
CENTRAL POWER RESEARCH INSTITUTE
P.B. NO. 8066, SADHASHIVNAGAR SUB P.O.
Prof. SIR. C.V. RAMAN ROAD, BANGALORE - 560 080, INDIA.
Phone : +91 (0)80-23601917 Fax : +91 (0)80-23601917

MEMBER STL



NABL Accredited
Laboratory
Certificate No. 130010

Test Report No.43/1/2010-HV/7916/KEPL

Dated: 26-04-2010.

Test Arrangement for the Lightning Impulse Voltage Withstand Test & Power frequency Voltage Withstand Test (Dry) & (Wet):-

Table with 5 columns: Test Arrangement, Isolator Position, H.V. connected to, Earth connected to, Isolated Terminals. Rows 1-6.

1. Lightning Impulse Voltage Withstand Test

Table with 5 columns: Test Arrangement, No of Shots, Test Voltage KV (Peak) * (Positive/Negative Polarity), Remarks. Rows 1-6.

2. Power Frequency Voltage Withstand Test (Dry)

Table with 3 columns: Test Arrangement, Test Voltage in kV (rms) \$, Remarks. Rows 1, 2, 5, 6.

3. Power Frequency Voltage Withstand Test (Wet)

Table with 3 columns: Test Arrangement, Test Voltage in kV (rms) \$, Remarks. Rows 1, 2, 5, 6.

*, \$ These voltages were applied under ambient conditions which are given below.

Table with 4 columns: Temperature in Degree Celsius (Dry Bulb, Wet Bulb), Atmospheric Pressure in mm of Hg. Rows * and \$.

Handwritten signature

(K.R.DASHARATHI)
Test Engineer



CPRI

HIGH VOLTAGE DIVISION
CENTRAL POWER RESEARCH INSTITUTE
P.B. NO. 8066, SADHASHIVNAGAR SUB P.O.
Prof. SIR. C.V. RAMAN ROAD, BANGALORE - 560 080, INDIA.
Phone : +91 (0)80-23601917 Fax : +91 (0)80-23601917

MEMBER STL



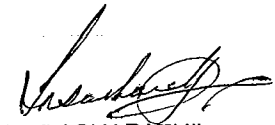
**NABL Accredited
Laboratory**
Certificate No. 130010

Test Report No.43/1/2010-HV/7916/KEPL

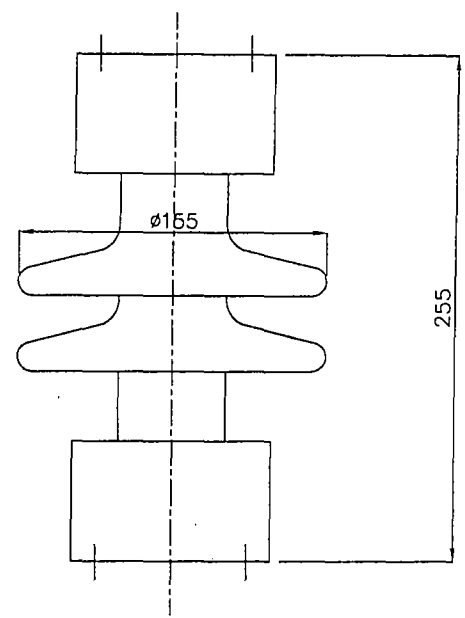
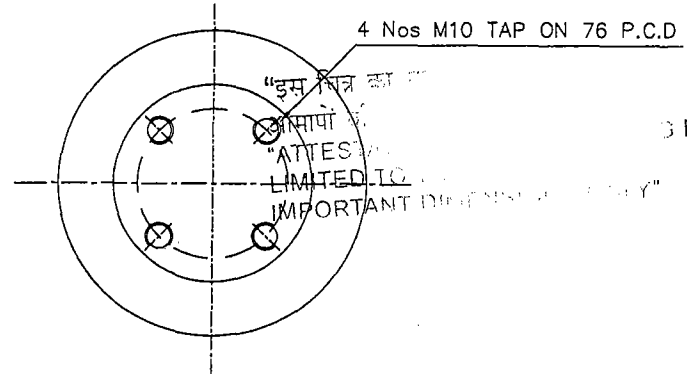
Dated: 26-04-2010.

NOTE:

- a) The test results relate only to the items tested.
- b) Publication or reproduction of this report in any form other than by complete set of the whole report and in the language written is not permitted without the written consent of CPRI.
- c) Any Corrections/erasures invalidate this test report/certificate.
- d) Any anomaly/discrepancy in this test report/certificate should be brought to our notice within 45 days from the date of issue.
- e) The verification of the sample drawings by CPRI is limited to dimensional checks only wherever possible.


(K.R.DASHARATHI)
Test Engineer

THIS DRAWING IS THE PROPERTY OF KRISHNAA ENERGY PRIVATE LIMITED AND MUST NOT BE COPIED OR REPRODUCED WITHOUT THEIR CONSENT.



GUARANTEED TECHNICAL PARTICULARS

GENERAL:

1. STANDARD APPLICABLE : IS: 2544 - 1973/ IEC :60168-2001
2. TYPE OF INSULATOR .SOLIDCORE POST TYPE
3. NO. OF UNITS PER STACK ONE
4. MIN.NOM.CREEPAGE DISTANCE MM 160
5. SHED PROFILES CONFORMS TO IEC : 815-1986
6. FERROUS PARTS HOT DIP.GALVANISED AS PER IS: 2633-1986/ IEC:60168-2001.
7. COLOUR OF GLAZE : BROWN

MECHANICAL VALUES :

1. ULTIMATE CANTILEVER STRENGTH KN 12.5
2. ULTIMATE TORSIONAL STRENGTH KN.M 1.8

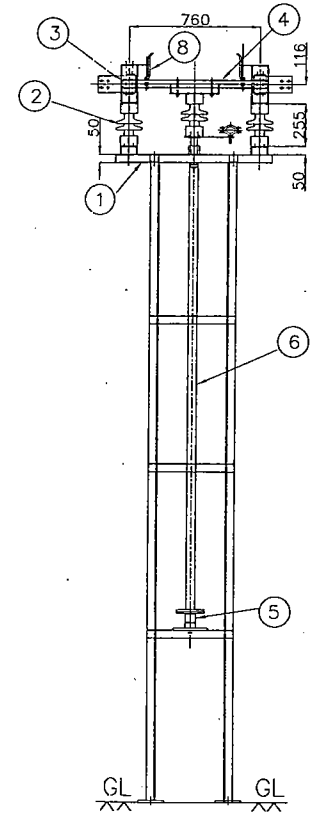
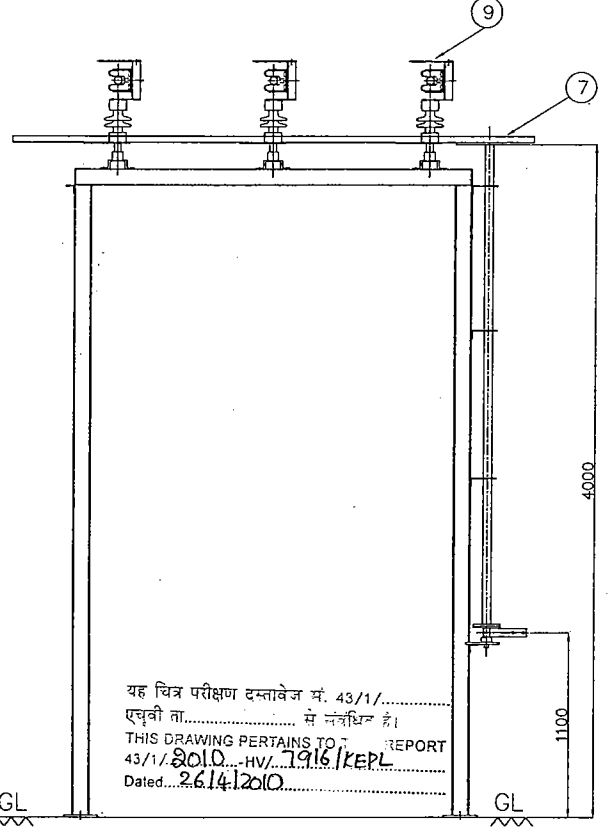
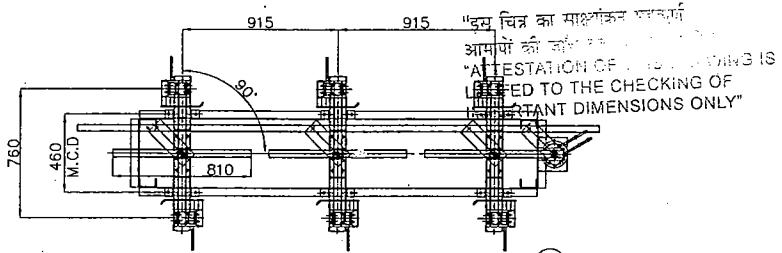
ELECTRICAL VALUES :

1. NOMINAL SYSTEM VOLTAGE KV(rms) 11
 2. HIGHEST SYSTEM VOLTAGE KV(rms) 12
 3. DRY POWER FREQUENCY WITHSTAND VOLTAGE KV(rms) 45
 4. WET POWER FREQUENCY WITHSTAND VOLTAGE KV(rms) 38
 5. LIGHTNING IMPULSE WITHSTAND VOLTAGE (DRY) KV(peak) 95
- +VE/-VE (1.2 / 50 μ SEC. WAVE)

इस चित्र परीक्षण दस्तावेज सं. 43/1/.....
 एचवी ता..... में संबंधित है।
 THIS DRAWING PERTAINS TO TEST REPORT
 43/1/2010 -HV/ 7916/KEPL
 Dated.....26/4/2010.....

(Signature)
 इंजीनियरी अधिकारी
 ENGINEERING OFFICER
 सी पी आर आई/CERI
 बंगलूर/ BANGALORE-560 030

3Nos/POLE		ALL DIMENSION ARE IN mm				DESCRIPTION: 11KV SOLIDCORE POST INSULATOR			SCALE : NTS		
0		JMR	PR	SN	12.2.10	MFG BY: KRISHNAA ENERGY PRIVATE LIMITED.,					
REV.	DATE	DRAWN	CHD.	APPD.	SIGN	DATE.	DP: 69, SIDCO Industrial Estate, Thirumudivakkam, Chennai-44			SHT.No.	DRAWING No.
CUSTOMER : M/s.						www.krishnaenergy.net			DRAWING No.		KEISO-11-002
P.O.REF :				CONSULTANT :			JOB REF:				



- NOTE:**
1. ALL FERROUS PARTS ARE HOT DIP GALVANISED
 2. CONTACT ENDS ARE SILVER PLATED
 3. TOLERANCE OF DIMENSION $\pm 5\%$
 4. SHORT TIME CURRENT RATING 25 KA/3SEC
 5. APPLICABLE STANDARD IS 9921 PART-1 TO
 6. ROTATING STOOL BASE HAVING 1 No. THRUST BEARING & WITH GREASE NIPPLE

इंजीनियरी अधिकारी
ENGINEERING OFFICER
सी पी आर आई/CPRI
बैंगलूर/BANGALORE-560 031

SL.NO	DESCRIPTION
9	FIXED CONTACT ARCING HORN
8	MOVING CONTACT ARCING HORN
7	TANDEM PIPE FOR MAIN NB32 G.I. PIPE
6	DOWN OPTG. PIPE FOR MAIN NB40 G.I.PIPE
5	MANUAL OPTG. MECH.
4	ASSY.OF MOVING BLADE H.D.H.C OD50xID40
3	ASSY.OF MAIN FIXED CONTACT H.D.H.C 32x5mm THK 4Nos/POLE
2	11KV SOLID CORE POST INSULATOR
1	ASSY.OF BASE

REV. DATE		DESCRIPTION	JMR	PR	SN	DATE
0						12.2.10

CUSTOMER : M/s.
P.O.REF :

ALL DIMENSION ARE IN mm
DESCRIPTION: G.A OF 11KV/1250A DOUBLE BREAK ISOLATOR
MFG BY: KRISHNAA ENERGEY PRIVATE LIMITED.,
DP:59, SIDCO Industrial Estate, Thirumudivakkam, Chennai-44
www.krishnaenergy.net

SCALE : NTS

SHT.No. DRAWING No.
KEISO-11-001

THE POLICY OF KRISHNAA ENERGEY IS CONTINUAL IMPROVEMENT & DEVELOPMENT.