

CPRI

## TEST REPORT



**Central Power Research Institute**

(A Govt. of India Society)

P.B.No. 8066, Sadashivanagar Post Office,  
Sir C.V. Raman Road,  
Bangalore - 560 080 (INDIA)



CPRI

SHORT CIRCUIT LABORATORY  
CENTRAL POWER RESEARCH INSTITUTE  
(Member of STL)

P.B.NO.8066, SADASHIVANAGAR POST OFFICE  
SIR C.V.RAMAN ROAD, BANGALORE - 560 080 (INDIA)  
Phone : +91 (0) 80 - 23602662 Fax : +91 (0) 80 - 23601213



T-0010

Sheet 1 of 5

TEST REPORT

<b>Test Report Number</b>	SC09617K	<b>dated:</b> 4 <sup>th</sup> November, 2009
<b>Name &amp; Address of the Customer</b>	M/s. Krishnaa Energy Private Limited, DP:69, SIDCO Industrial Estate, Thirumudivakkam, Chennai - 600 044	
<b>Name &amp; Address of the Manufacturer</b>	M/s. Krishnaa Energy Private Limited, DP:69, SIDCO Industrial Estate, Thirumudivakkam, Chennai - 600 044	
<b>Particulars of sample tested</b>	L.T. Current Transformer	
<b>Condition of the sample on Receipt</b>	New	
Type	Indoor, ring, resin cast	
Designation	---	
Serial Number	011 / 09	
Number of samples tested	One	
Date (s) of test (s)	23 <sup>rd</sup> September, 2009	
CPRI sample code no(s)	SC09S1819	
<b>Particulars of tests conducted</b>	Accuracy	
Test in accordance with Standard / specification	Sub-clause 7.1.1.1 of IS 2705 (Part 2): 1992 (Reaffirmed 2002)	
Sampling plan	Not applicable	
Customer's requirement	None	
Deviations if any	Nil	
<b>Name of the witnessing persons</b>		
Customer's representative	Mr. K. S. Suresh Kumar, Manager - Production	
Other than customer's representative	None	
Test subcontracted with address of the laboratory	None	
<b>Documents constituting this report (In words)</b>		
Number of sheets	Five	
Number of oscillograms	Nil	
Number of graphs	Nil	
Number of photos	Nil	
Number of test circuit diagrams	Nil	
Number of drawings	One	

(Nagananda)  
Test Engineer



(B. R. Ravishankar)  
Joint Director



CPRI

**SHORT CIRCUIT LABORATORY**  
**CENTRAL POWER RESEARCH INSTITUTE**  
(Member of STL)

P.B.NO.8066, SADASHIVANAGAR POST OFFICE  
SIR C.V.RAMAN ROAD, BANGALORE - 560 080 (INDIA)  
Phone : +91 (0) 80 - 23602662 Fax : +91 (0) 80 - 23601213



T-0010

Sheet 2 of 5  
Report Number: SC09617K

**Description of sample tested (rating as assigned by the manufacturer)**

Test sample	Current transformer
Type	Indoor, ring, resin cast
Designation	---
Serial number	011 / 09
Nominal system voltage	0.66 kV
Highest system voltage	0.72 kV
Rated insulation voltage	3.0 kV
Frequency	50 Hz
Number of cores	One
Rated Output-VA	15
Accuracy class	0.5
Rated transformation ratio	400 / 5 A

**Documents attached to this report**

Drawing number (s)

KEPL-LTRCT-011 SHT.No. 1 OF 1 REV. 0

  
Test Engineer



CPRI

# SHORT CIRCUIT LABORATORY CENTRAL POWER RESEARCH INSTITUTE

(Member of STL)

P.B.NO.8066, SADASHIVANAGAR POST OFFICE  
SIR C.V.RAMAN ROAD, BANGALORE - 560 080 (INDIA)  
Phone : +91 (0) 80 - 23602662 Fax : +91 (0) 80 - 23601213



T-0010

Sheet 3 of 5  
Report Number: SC09617K

## Schedule of test

### ACCURACY TEST

Current ratio : 400 / 5  
Accuracy class : 0.5  
Primary connection : Single turn through window  
Secondary connection : S1 - S2

Burden (VA) & Power factor	Type of error	Error at percentage primary current			
		120	100	20	5
15 & 0.8 lag	% Current error	- 0.304	- 0.318	- 0.731	- 1.129
	Phase displacement (min)	6.5	- 5.8	6.5	15.4
3.75 & UPF	% Current error	0.317	0.314	0.251	0.108
	Phase displacement (min)	6.9	7.5	12.7	21.2

Remarks: The sample tested complies with the sub-clause of the standard referred to.

*Ragunanda*  
Test Engineer



CPRI

**SHORT CIRCUIT LABORATORY  
CENTRAL POWER RESEARCH INSTITUTE**

(Member of STL)

P.B.NO.8066, SADASHIVANAGAR POST OFFICE  
SIR C.V.RAMAN ROAD, BANGALORE - 560 080 (INDIA)  
Phone : +91 (0) 80 - 23602662 Fax : +91 (0) 80 - 23601213



T-0010

Sheet 4 of 5  
Report Number: SC09617K

**Details of the standard equipment (s) used for accuracy test**

1) Automatic Instrument Transformer test set

Serial number 951105

Manufacturer M/s. Eltel Industries, Bangalore

Technical specification

a) Error measuring ranges

Range 1. +/- 19.99% & 19.99 C rad or 680 minutes  
Range 2. +/- 1.999% & 1.999 C rad or 68.0 minutes  
Range 3. +/- 1999 ppm & 1999 u rad or 6.80 minutes

b) Accuracy

i) Rated measuring value +/- 0.5% of reading +/- 0.5% of nominal input true rms

ii) Error measuring ranges

Range 1. +/- 1% of Reading +/- 0.04  
Range 2. +/- 1% of Reading +/- 0.004  
Range 3. +/- 1% of Reading +/- 10

c) Type ITS - 85

Calibration Calibrated at : National Physical Laboratory, New Delhi  
Calibration valid upto : 20<sup>th</sup> March, 2010

2) Standard current transformer

Serial number 142002

Manufacturer M/s Tettex Instruments, Switzerland

Technical specification

Ratio: 5.....5000/1-5A  
Accuracy: +/-0.001%, +/-0.05 min.

Calibration Calibrated at : National Physical Laboratory, New Delhi  
Calibration valid upto : 4<sup>th</sup> April, 2010

*Ragunanda*  
Test Engineer



**CPRI**

**SHORT CIRCUIT LABORATORY  
CENTRAL POWER RESEARCH INSTITUTE**

(Member of STL)

P.B.NO.8066, SADASHIVANAGAR POST OFFICE  
SIR C.V.RAMAN ROAD, BANGALORE - 560 080 (INDIA)  
Phone : +91 (0) 80 - 23602662 Fax : +91 (0) 80 - 23601213



T-0010

Sheet 5 of 5

**Report Number: SC09617K**

**NOTE**

- a) This is not a certificate of rating. A certificate of rating is not issued as only limited tests as requested by the customer were carried out.
- b) The test results relate only to the item(s) tested.
- c) Publication or reproduction of this report in any form other than by complete set of the whole report and in the language written, is not permitted without the written approval of CPRI.
- d) Corrections / erasings invalidate the test report.
- e) Any anomaly / discrepancy in the test report should be brought to our notice within 45 days from the date of issue.

Additional Information:

CPRI issues following types of reports/certificates:

**Test Report:**

The test report contains the record of the values of test parameters as obtained during testing, the physical condition of the sample during / after the test(s) and copy of oscillogram(s). Test report is issued when partial tests are performed as against the complete test requirement for proving specific ratings.

**Sealed Certificate:**

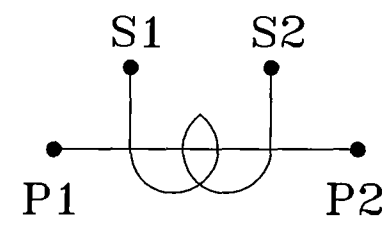
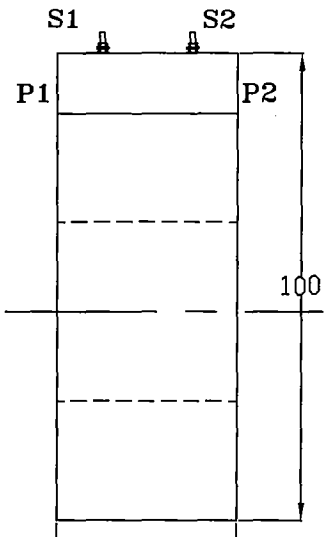
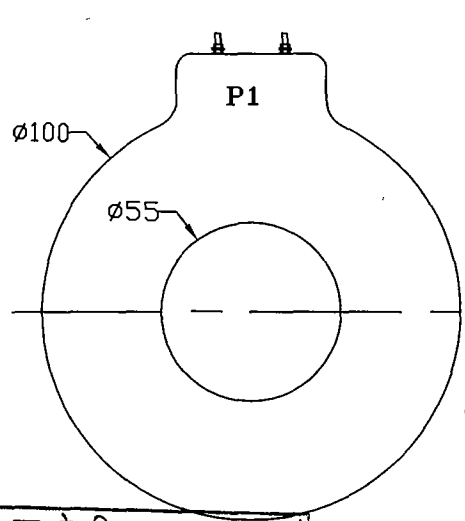
The sealed certificate is issued, on request and payment of the prescribed charges thereof only when the sample of particular type and rating has satisfactorily passed all the specified tests in compliance with the condition stipulated in a published National / International standard.

**CPRI issues the following type test certificates based generally on STL Guidelines:**

- I. Type test certificate of Short Circuit Performance.
- II. Type test certificate of Switching Performance.
- III. Type test certificate of Temperature Rise Performance.
- IV. Type test certificate of Dielectric Performance.
- V. Type test certificate of complete type test.

  
Test Engineer

THIS DRAWING IS THE PROPERTY OF KRISHNAA ENERGY PRIVATE LIMITED AND MUST NOT BE COPIED OR REPRODUCED WITHOUT THEIR CONSENT.




कें.वि.अ.सं. द्वारा इस रेखाचित्र का सत्यापन जहाँ कहीं भी संभव हो सिर्फ विमीय जाचें तक ही यकीन है।  
 THE VERIFICATION OF THIS DRAWING BY CPRI IS LIMITED TO DIMENSIONAL CHECKS ONLY WHEREVER POSSIBLE


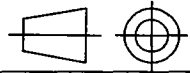
रिपोर्ट क्रमांक.....  
 से संबंधित दस्तावेज  
 Document Pertaining to  
 Report No.: SC09617K

**LT RESIN CAST CT**

**RATING PLATE**

CURRENT TRANSFORMER			
RATIO	: 400 / 5A	BURDEN	: 15 VA/CL 0.5
HSV	: 660 V 50Hz ILV	: 0.66/3 KV	IS 2705/1992
SL.NO.	: 011/09	MFD. YEAR	: 09
MFD.BY :	 KRISHNAA ENERGY PVT LTD., CHENNAI - 44		

*Ragunatha*  
 परीक्षण अभियन्ता / Test Engineer  
 ल.प. प्रयोगशाला / S. C. LAB  
 सी. पी. आर. आई. / CPRI  
 बेंगलूर / Bangalore

TYPE: INDOOR RESIN CAST		QTY: -	ALL DIMENSION ARE IN mm				TITLE: RESIN CAST CURRENT TRANSFORMER				SCALE : NTS		
0			BJM	K.S.S.K	K.S.S.K	21/9/09	MFG BY:  KRISHNAA ENERGY PRIVATE LIMITED., DP:69, SIDCO Industrial Estate, Thirumudivakkam, Chennai-44 www.krishnaenergy.net						
REV.	DATE	DESCRIPTION	DRAWN	CHD.	APPD.	SIGN	DATE.					SHT.No.	DRAWING No.
												1 OF 1	KEPL-LTRCT-011
CUSTOMER : -													

THE POLICY OF KRISHNAA ENERGY IS CONTINUAL IMPROVEMENT & DEVELOPMENT